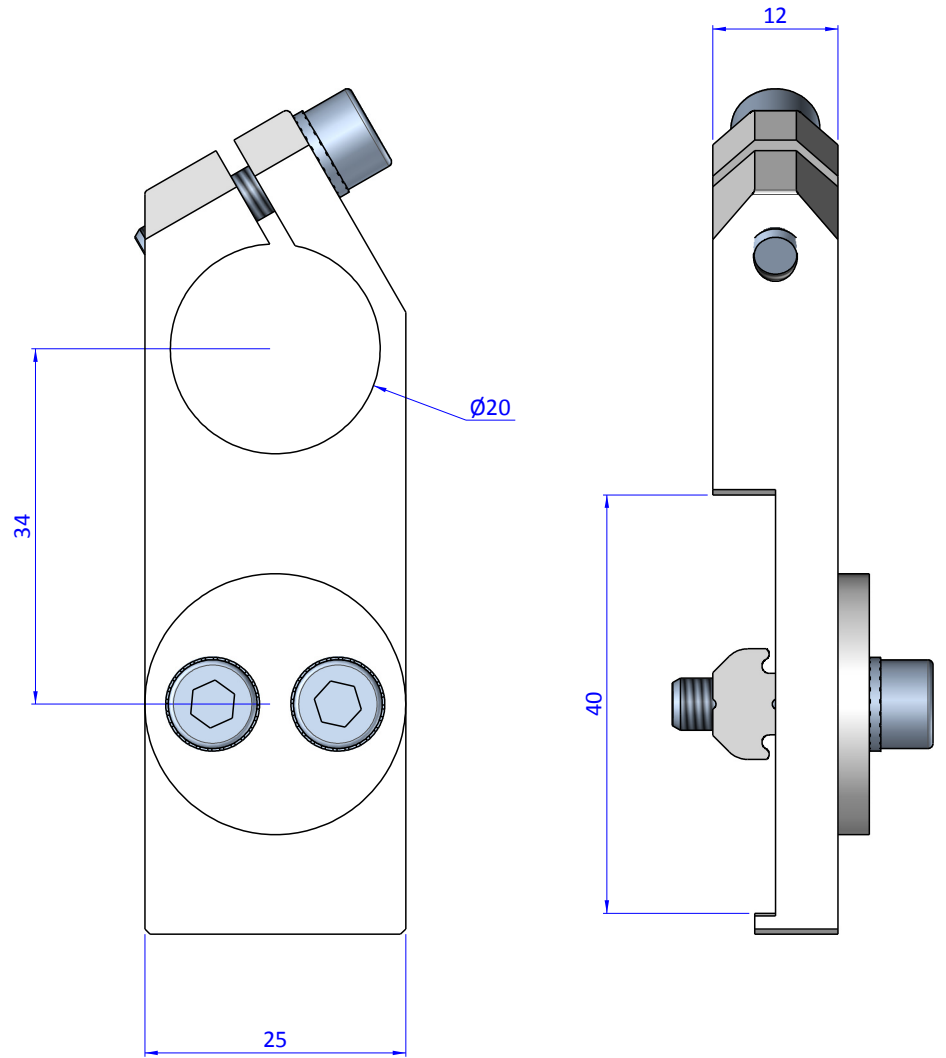
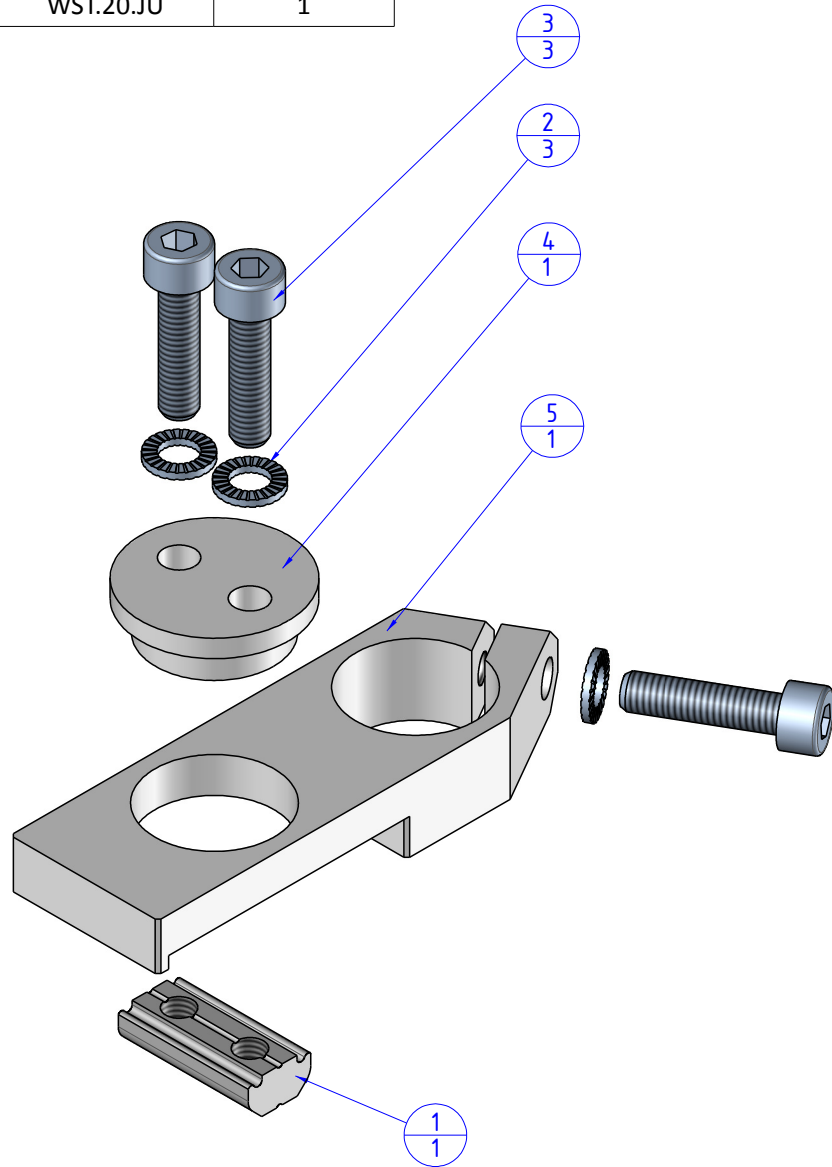


THE PROPERTY OF THE DRAWING IS ESTABLISHED BY LAW. IT IS FORBIDDEN TO PRODUCE OR SHOW IT TO THIRD PARTY, WITHOUT A WRITTEN AGREEMENT.

Item	Name	Q. ty
1	CA.GWP.5.12	1
2	R.5.SCH	3
3	V.TCE5x20	3
4	WST.20.1	1
5	WST.20.JU	1



Format A3

UNI 936-76

FP SERVICES AUTOMATION		DESIGNED FROM FPSERVICES		REVIEW A
GENERAL TOLERANCE UNI - ISO 2768 CLASSE f		DATE 30/04/2016	WEIGHT 0,055kg	
		CODE CA.WST.20.JU		CA.WST.20.JU